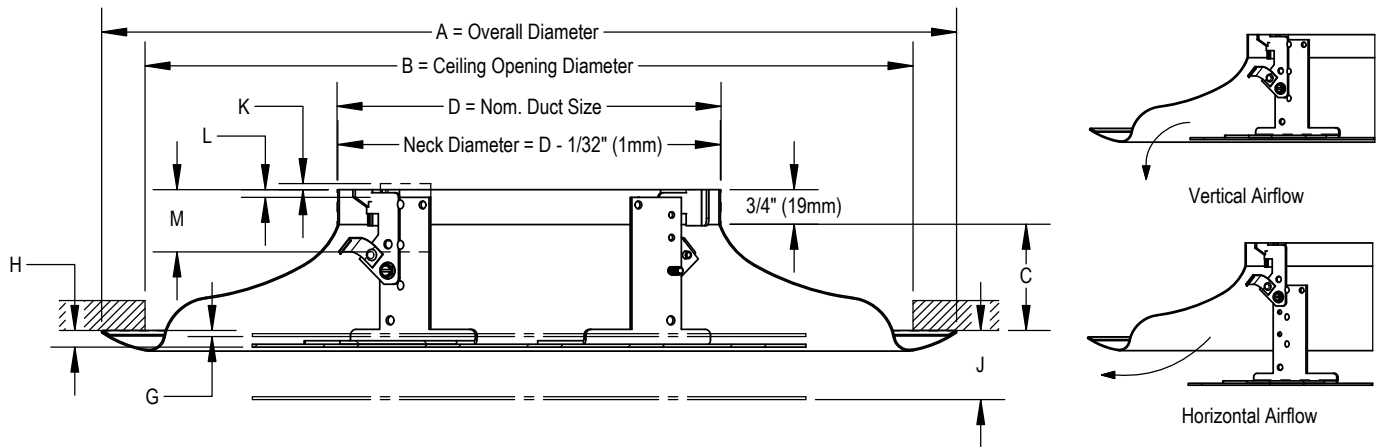


RPD Round Plaque Diffuser



Nom. Size	Plaque Position Reference to the Ceiling Line				Plaque Web Height Reference to Top of Inlet					
	A	B	C	D	Vertical Pattern	Horizontal 1 Pattern	Horizontal 2 Pattern	Vertical Pattern	Horizontal 1 Pattern	Horizontal 2 Pattern
6	14" (356mm)	12" (305mm)	1 5/8" (41mm)	6" (152mm)	- 5/16" (-8mm)	3/8" (10mm)	1/2" (13mm)	5/16" (8mm)	- 3/8" (-10mm)	- 9/16" (-14mm)
8	18" (457mm)	16" (406mm)	2 1/8" (54mm)	8" (203mm)	- 1/8" (-3mm)	9/16" (14mm)	1 1/16" (27mm)	1/4" (6mm)	- 7/16" (-11mm)	- 15/16" (-24mm)
10	22 1/2" (572mm)	20" (508mm)	2 5/8" (67mm)	10" (254mm)	7/16" (11mm)	1 3/16" (30mm)	1 1/2" (38mm)	7/16" (11mm)	- 1/4" (-6mm)	- 9/16" (-14mm)
12	27" (686mm)	24" (610mm)	3 1/4" (83mm)	12" (305mm)	0" (0mm)	1" (25mm)	1 3/8" (35mm)	3/8" (10mm)	- 5/8" (-16mm)	- 15/16" (-24mm)
14	31 1/2" (800mm)	28" (711mm)	3 3/4" (95mm)	14" (356mm)	1/2" (13mm)	1 1/8" (29mm)	1 7/8" (48mm)	9/16" (14mm)	3/8" (10mm)	3/8" (10mm)

MATERIAL:

- Heavy gauge spun steel

FINISH:

- Standard Finish:
- B12 - Standard White

NOTES:

- G, H & J are distances of the plaque face above (-) or below (+) the ceiling line
- K, L & M are distances of the web assembly above (+) or below (-) the top of the inlet
- Ensure any accessories mounted at the inlet will clear the uppermost web position
- Horizontal 1 Pattern is for use in a surface mount applications (ie- with a ceiling)
- Horizontal 2 Pattern is for use in an exposed duct application (ie- no ceiling)
- Factory tolerance $\pm 1/32"$ (1mm)

Optional finishes available:

- Optional colors
- Custom colors
- See finishes brochure for additional information. Contact your PRICE representative for leadtimes and pricing.



Scan for link to additional product information and installation instructions

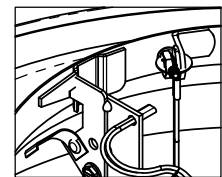
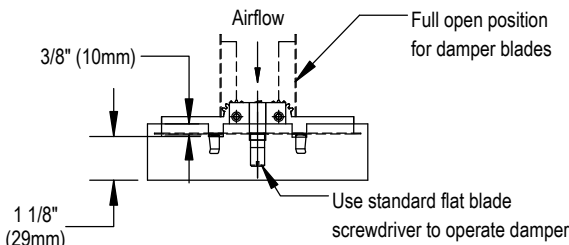
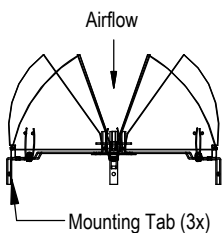
OPTIONS:

Dampers (shipped loose)

- VCR7 - Steel radial opposed blade damper
- VCR8 - Steel full flow damper, duct mounted

ACCESSORY:

- SCB - Safety Cable



ALL METRIC DIMENSIONS () ARE SOFT CONVERTED. IMPERIAL DIMENSIONS ARE CONVERTED TO METRIC AND ROUNDED TO THE NEAREST MILLIMETER

PROJECT:

ENGINEER:

CUSTOMER:

SUBMITTAL DATE:

SPEC. SYMBOL:



Signature

RPD
 Round Plaque Diffuser

237581

2023-02-08